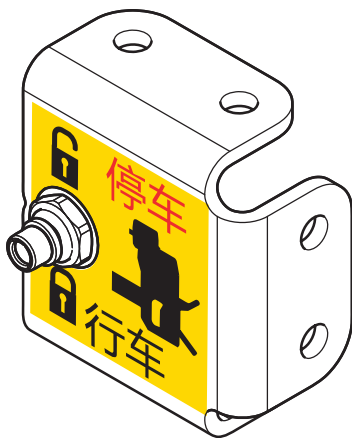




RINGFEDER



RINGFEDER® outCab locking indicator CN





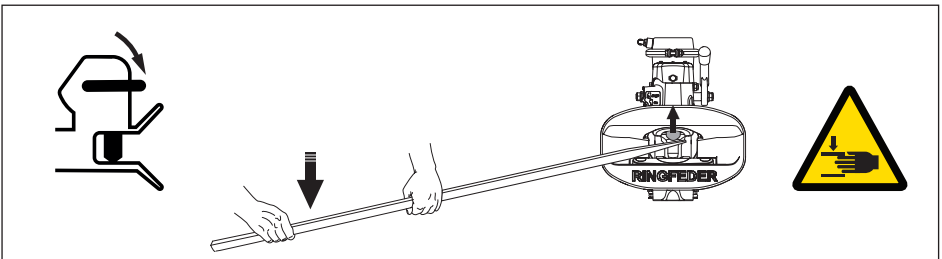
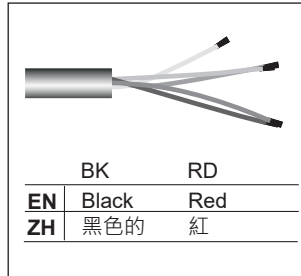
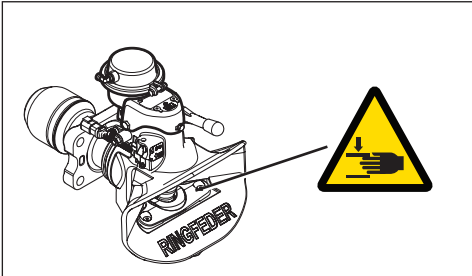
EN Installation
ZH 安装

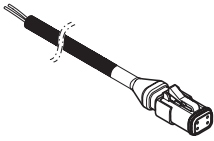
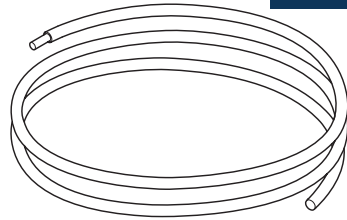
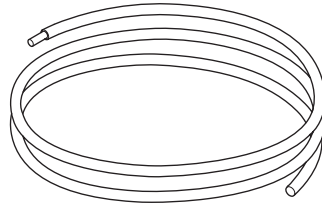


EN Dismantling
ZH 拆除



EN Function check
ZH 功能检查



15990835**x 1****x 1****x 1****x 1****x 1****15990924****x 1****x 1****x 1****x 1**

EN General

Follow the instructions of the truck manufacturer for electrical installations. Follow also the instructions relating to the coupling.

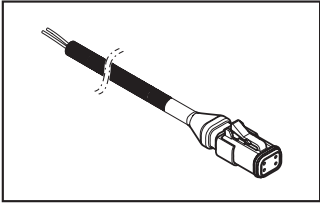
Identify all parts before installation. Installation and service shall be carried out carefully and professionally.

ZH 一般注意事项

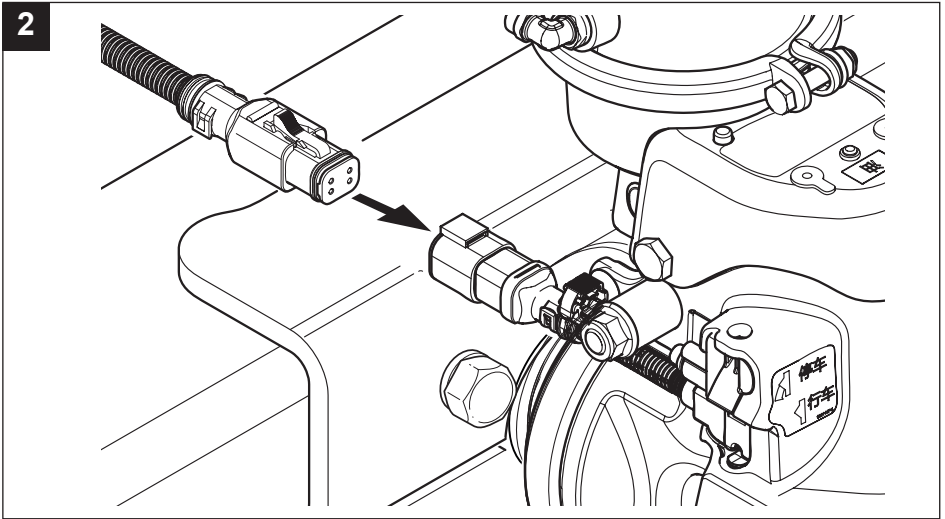
按照卡车制造商的电气安装说明操作。遵循与耦合相关的说明。
安装前确认所有部件。安装和服务应仔细、专业地进行。



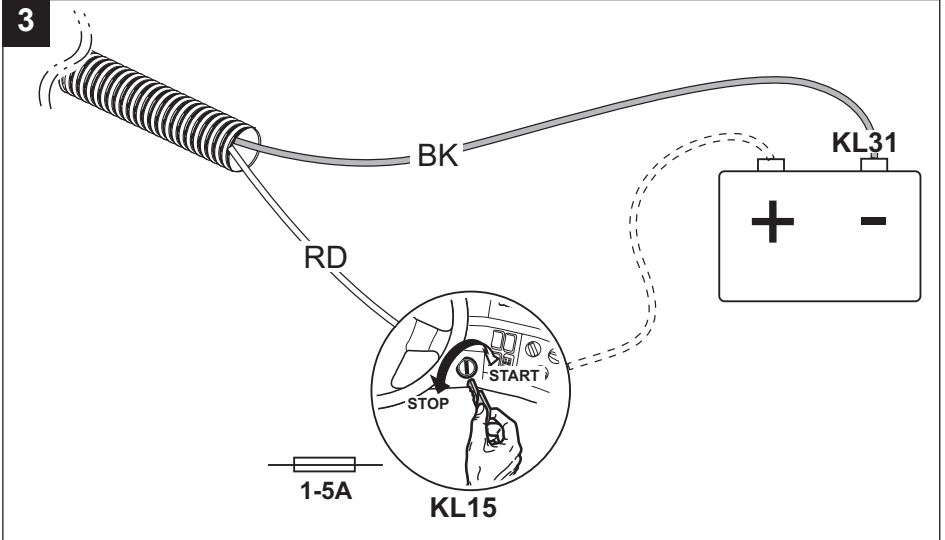
1

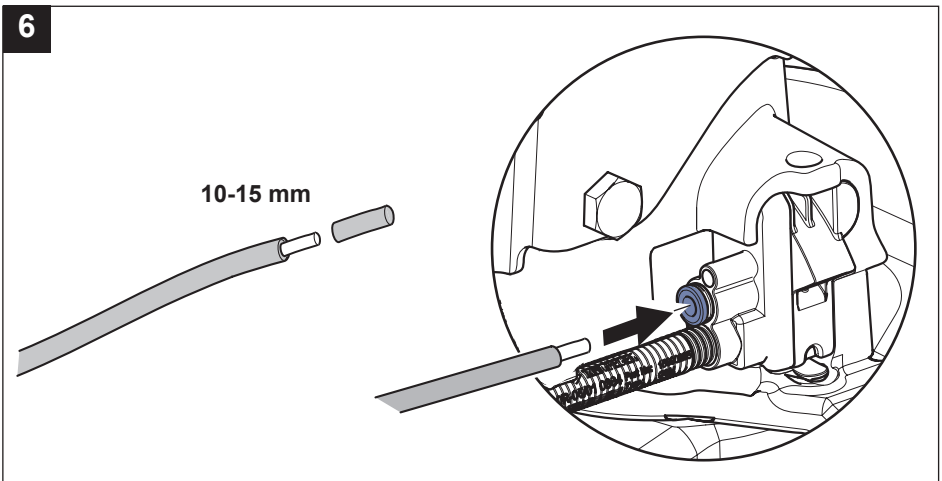
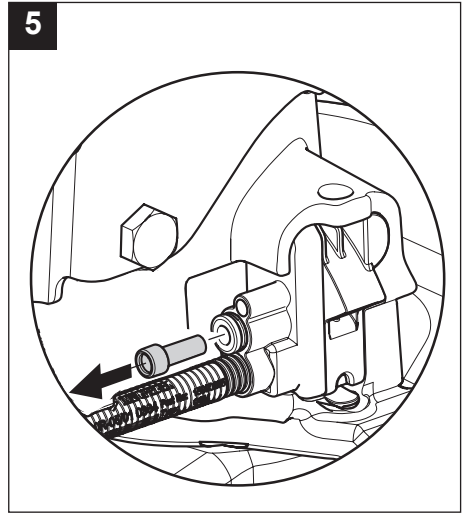
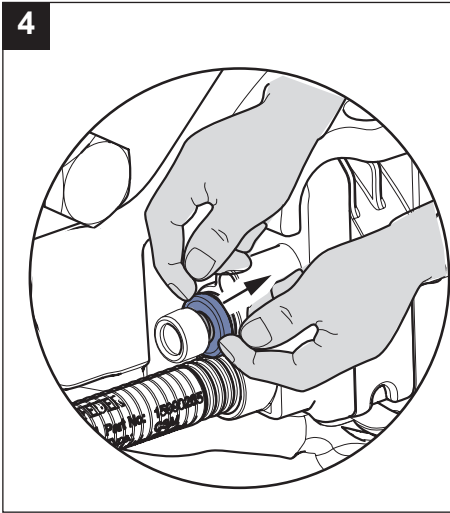
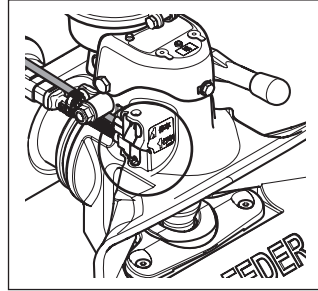
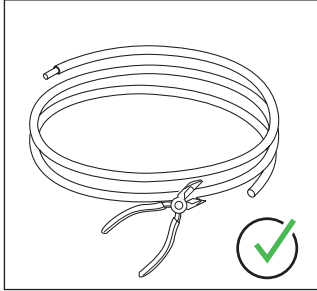


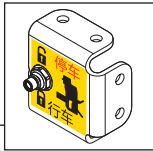
2



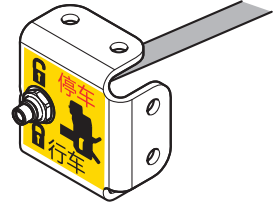
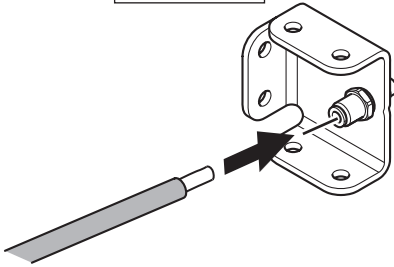
3



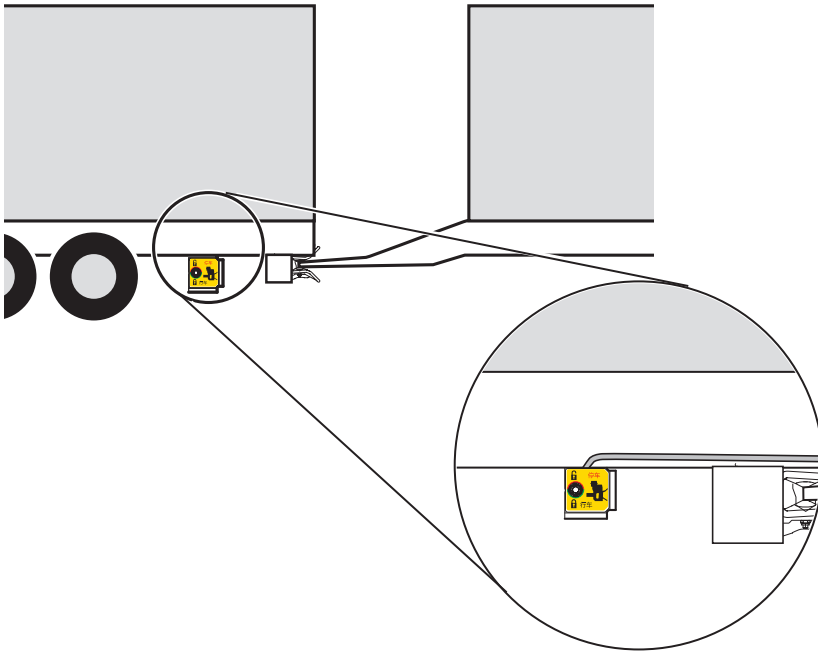
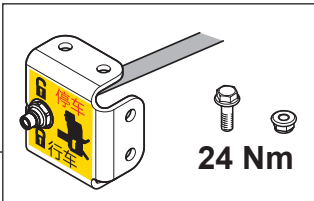


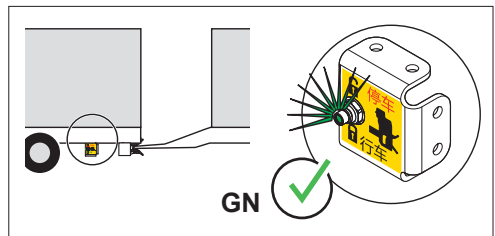
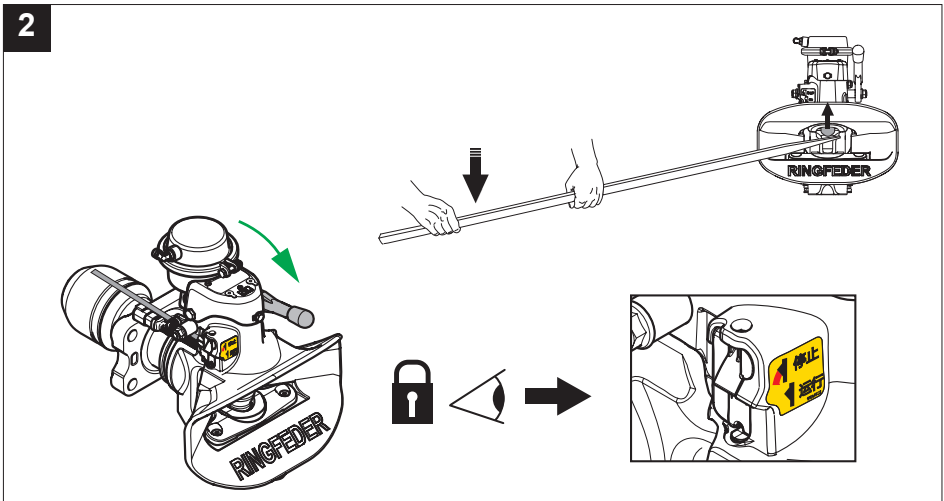
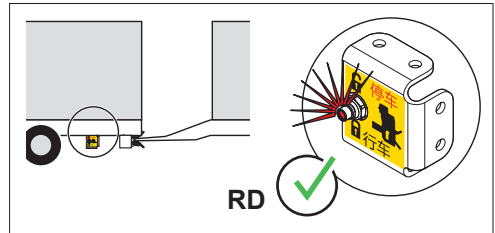
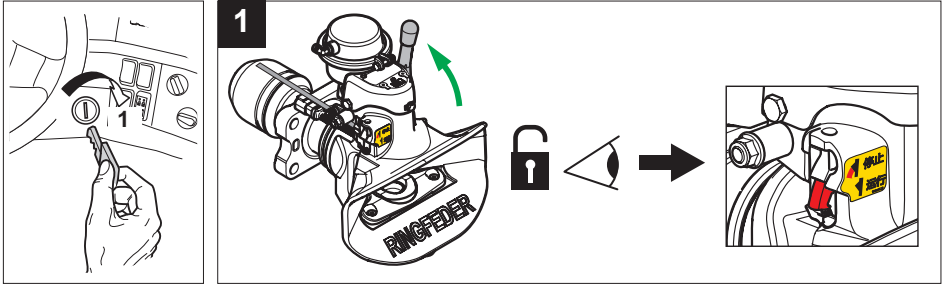


7



8







Produced in a certified company

VBG GROUP TRUCK EQUIPMENT GMBH · Girmesgath 5 · D-47803 Krefeld
www.ringfeder-rf.com