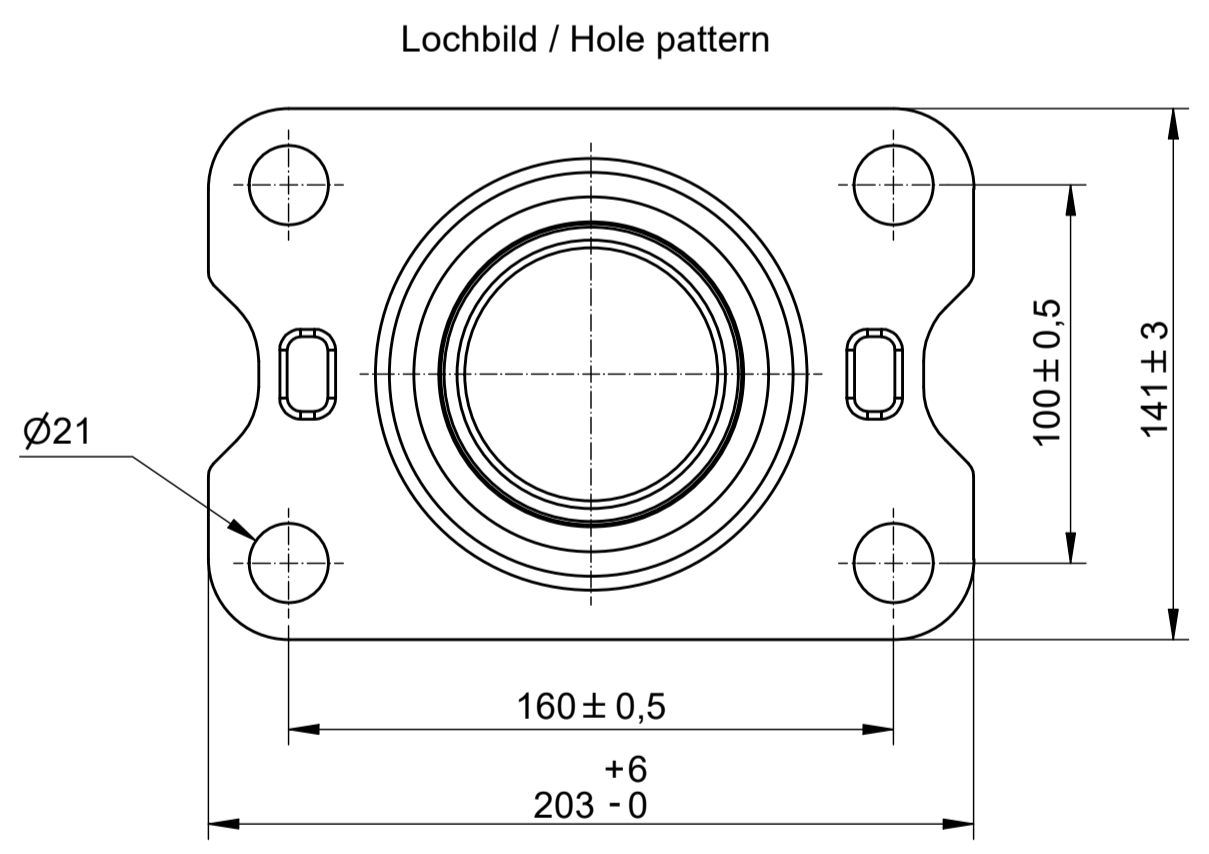


Identification plate

RINGFEDER
耦合器 型号 RF50 CN 版本 AM
 用于连接 Ø50 牵引环 DIN 74053 或 ISO1102 或 GB/T 4781
 符合 UNECE R55 生产批号 XXXXX 年/周 YY/WW
 符合 JT/T 1178.2 & GB/T32860 & ISO 12357 标准
 规格 C50-7 D 190kN Dc 130 kN
 S 1000 kg V 75 kN
 10090758 瑞典制造



Winkelausschläge der Zugöse:
 Angle of of drawbar eye:

Horizontal ± 90° min
 Vertikal ± 20°
 Axial 360° bei einem Mindestdrehmoment von 100 Nm
 with a minimum torque of 100 Nm

Fastening torques according to mounting instruction
 Anzugsmomente gemäß Montageanleitung

		Modified Date	Modified by	Modification No.	Issue		
		08.05.2023	HBH	14046	a		
VBG GROUP RF50 CN AM		3D Model No.	15990831	Engineer	HBH		
		Sheet Size	A1	Scale	1:2	Drawing Date	08.05.2023
		Stage	P	Drawing No.	15990831(F) Info		
<small>This drawing is the property of VBG Group AB and is protected in accordance with prevailing law. Changes must be made in CAD program; this concerns both 2D & 3D.</small>							