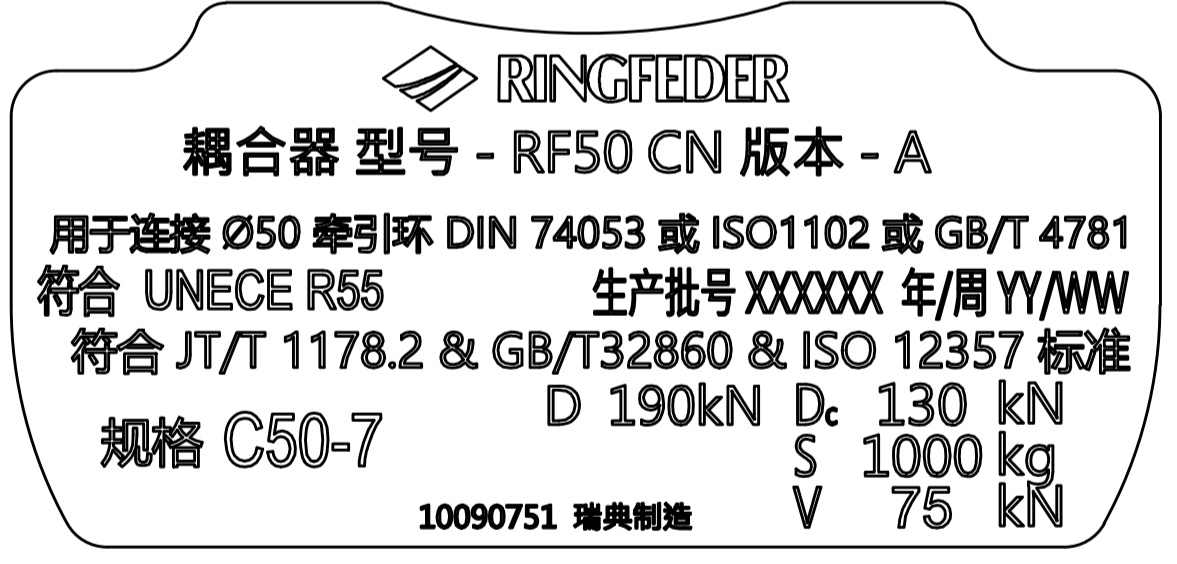
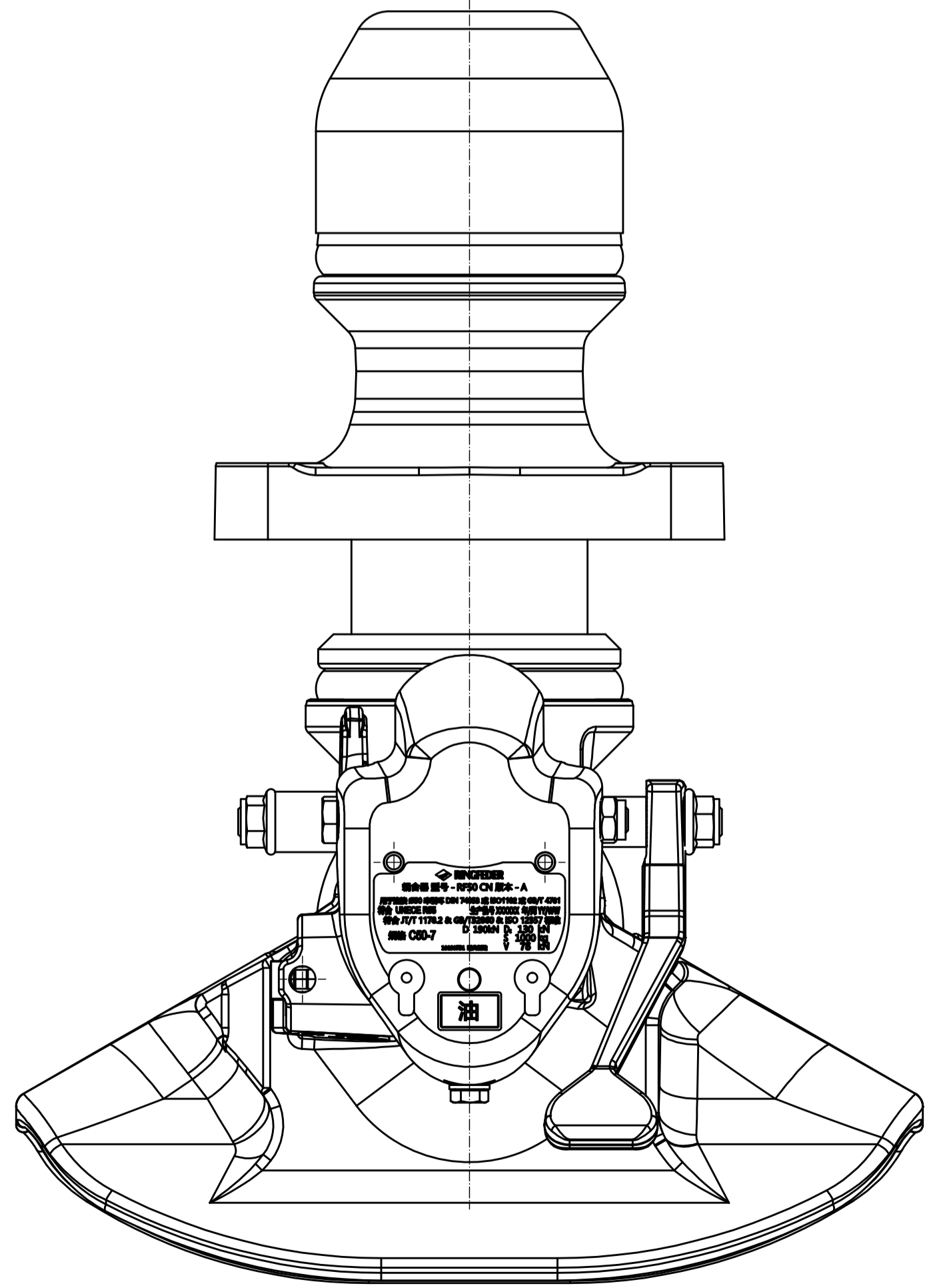
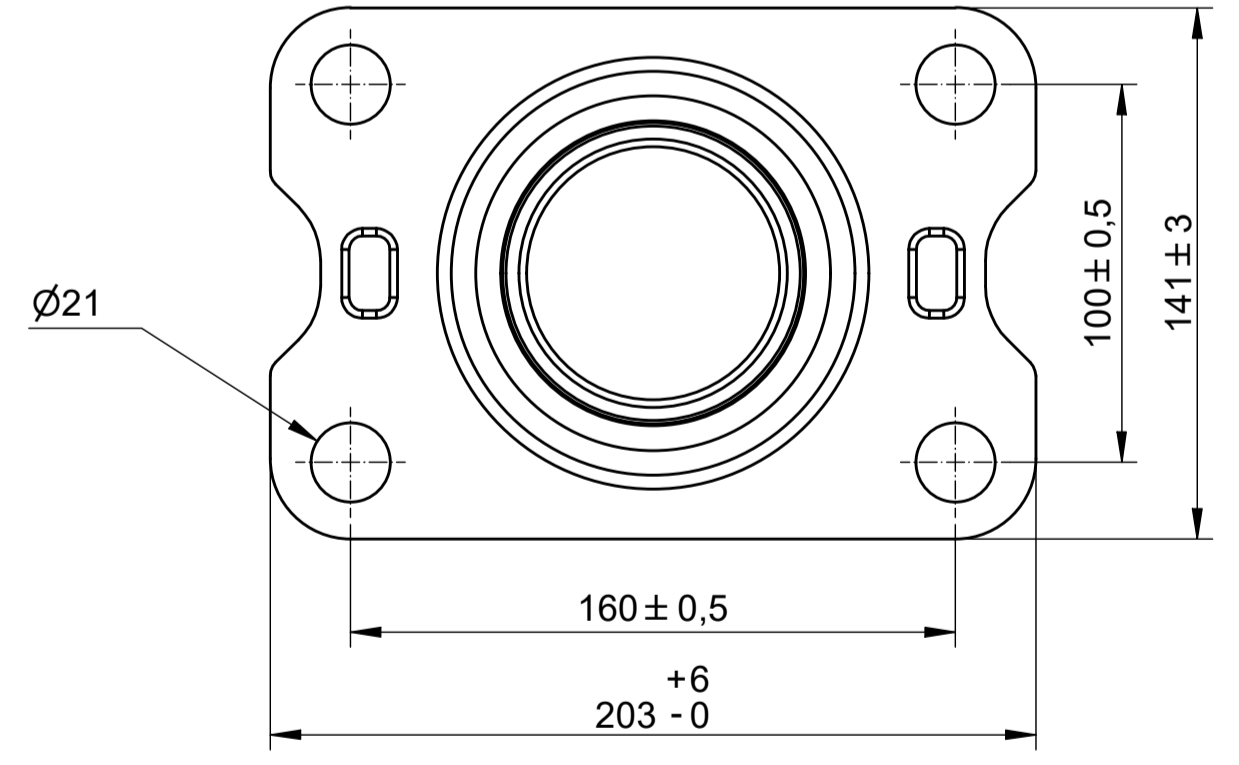


Identification plate



Lochbild / Hole pattern



Winkelausschläge der Zugöse:
 Angle of of drawbar eye:
 Horizontal ± 90° min
 Vertikal ± 20°
 Axial 360° bei einem Mindestdrehmoment von 100 Nm
 with a minimum torque of 100 Nm

Fastening torques according to mounting instruction
 Anzugsmomente gemäß Montageanleitung

		Modified Date	2021-03-02	Modified by	HBH	Modification No.	13001	Issue	a
		3D Model No.	15990826	Engineer	HBH				
VBG GROUP Description RF50 CN A		Sheet Size	A1	Scale	1 : 2	Production	2019-12-16	Drawn by	HBH
		Stage	P	Drawing No.	15990826(F)	Info			